



MILANOcomponenti



SOLENOID VALVES



Solenoid valves are mechanical components used for the shut-off and control of a fluid. In **Milano Componenti** water inlet and steam solenoid valves, the mechanical operation takes place via an electromagnetic actuator (solenoid).

CERTIFICATION

All of our solenoid valves comply with the EN 60730-1 and EN 60730- 2-8 standards and are approved by: IMQ, VDE, UTE, SEMKO, DEMKO, NEMKO, FEMKO, KEMA, KEUR, ASE/SEV, BEAB and OVE.

APPLICATIONS

Milano Componenti one and two-way solenoid valves are mainly used in dish washers and washing machines for domestic and industrial use, vending machines, sanitary ware and, in general, all systems that use drinking water or industrial water.

OPERATION

When current runs through it, the solenoid of the solenoid valve activates the mechanical device for opening and closing the valve.

MOUNTING

Milano Componenti solenoid valves can be mounted in various ways: by self-tapping screws or metric-thread screws, by quick coupling on a square flange, or even by snap fitting with rotation.

ACCESSORIES

All **Milano Componenti** solenoid valves can have a flow regulator.

Flow reducers (l/min):

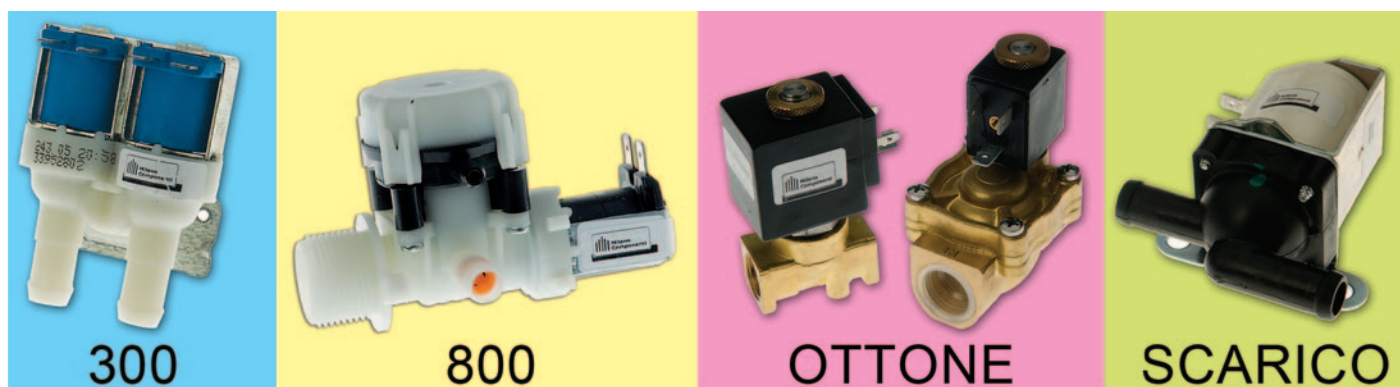
Incoming: 4 – 5 – 5.5 – 6 – 7 – 8 – 10 – 12 – 14 – 16 – 20

Outgoing: 0.25 – 0.35 – 0.5 – 0.6 – 0.8 – 1.2 – 2.5 – 3.75 – 4.5 – 5.5

The water inlet solenoid valves are equipped with a dirt filter on the inlet.

PRODUCTS

Our solenoid valves are available in four series:



SPECIAL SERIES

On request and for sufficient quantities, Milano Componenti also develops special versions to the client's design.

MILANOcomponenti

MILANO COMPONENTI s.r.l. Via Carlo D'Adda 28 - 20143 MILANO

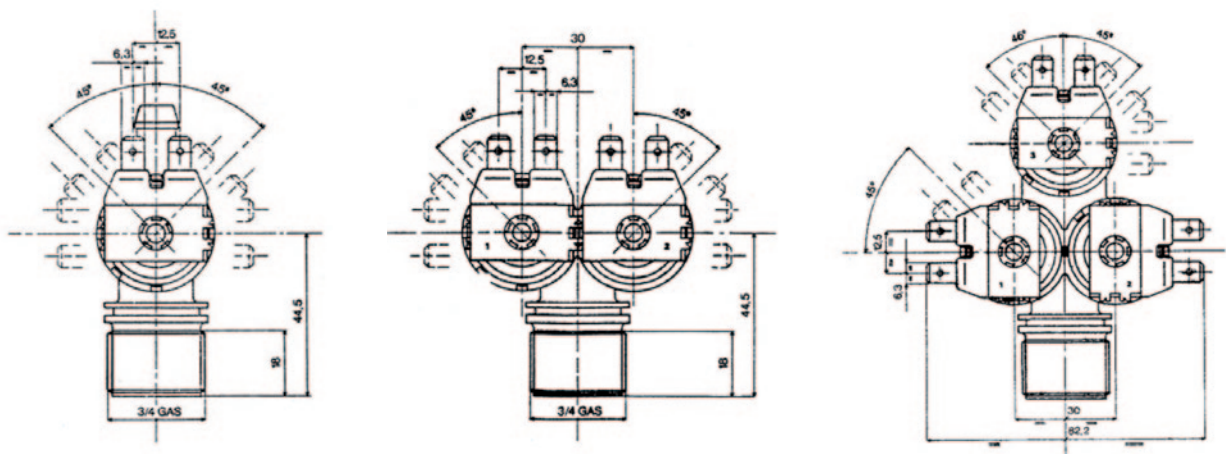
tel.: (39) 02 89421465 - fax.: (39) 02 83249533 e-mail: info@milanocomponenti.com www.milanocomponenti.com

300 SERIES SOLENOID VALVES

The 300 Series solenoid valves are available in various models with different specifications.

VOLTAGE	HZ	LIQUID TEMPERATURE	ON/OFF	LIQUID TEMPERATURE	ON/OFF	LIQUID TEMPERATURE	ON/OFF
220/240	50/60	25°C	100% ED	-	-	90°C	3 min/5 min
110/120	50/60	25°C	100% ED	-	-	90°C	3 min/5 min
24	50/60	25°C	100% ED	-	-	90°C	3 min/5 min
24	DC	25°C	6 min/4 min	60°C	4 min/4 min	90°C	4 min/8 min

Item	Specifications		Item	Specifications	
	Outlet	Temperature		Outlet	Temperature
319	Single	Singola	329	Single	180°
339	Double	Doppia	349	Double	180°
359	Triple	Tripla	369	Triple	180°



Technical Data

Pressure range	0,2-10 bar	(0,02-1 M Pa)
Bursting pressure	>80 bar	(8 M Pa)
Sealing pressure	>20 bar	(2 M Pa)
Shut-off overpressure	<2 bar	(0,2 M Pa) EN 50084

Life (normal and extreme conditions)

pressure	ambient temperature	medium temperature	cycles	on/off
5 bar	60°C	70°C	>200.000	3" ON/3" OFF
5 bar	60°C	25°C	>500.000	3" ON/3" OFF
10 bar	60°C	90°C	>50.000	3" ON/3" OFF

MILANOcomponenti

MILANO COMPONENTI s.r.l. Via Carlo D'Adda 28 - 20143 MILANO

tel.: (39) 02 89421465 - fax.: (39) 02 83249533 e-mail: info@milanocomponenti.com www.milanocomponenti.com

SPECIAL 3/2 WAY SOLENOID VALVE

Technical Specifications

Connection nozzle, Ø	10,5 mm – stub 11 mm
Outlet flow volume	0,5 – 6 l/min
Valve	230 V 50/60Hz
Coil	11400/0,085
Ambient temperature	up to 60°C
Medium temperature	up to 60°C
Opening pressure	> 16 bar with voltage = 187 V 50 Hz water 25 cm
	> 16 bar with voltage = 187 V 60 Hz water 20 cm
	> 16 bar with voltage = 220 V 50 Hz water 55 cm
Screw tightening torque	60 Ncm -:- 20 Ncm

800 SERIES SOLENOID VALVES

The 800 Series solenoid valves are valves with a water-stop and anti-flooding function, which are mainly used in dishwashers and washing machines for domestic and industrial use.

BRASS SERIES SOLENOID VALVES

The BRASS Series comprises two and three-way and servo-operated solenoid valves.

TECHNICAL SPECIFICATIONS

Body	pressed brass (OT58)
Internal parts	stainless steel
Spring	stainless steel
Coil	encapsulated in nylon-glass
Coil unit	adjustable 360°
Power supply voltages	12 V, 24 V, 48 V, 110 V, 220 V AC/DC

DISCHARGE SERIES SOLENOID VALVES

The discharge solenoid valves are specifically designed for the rapid discharge of liquids and gases and low-pressure fluids in general.

TECHNICAL SPECIFICATIONS

Body	stabilized thermoplastic material
Internal parts	stainless steel
External parts	galvanized steel
Filter	dirt filter on inlet
Connections	for 13.5 diameter rubber tubes

MILANOcomponenti

MILANO COMPONENTI s.r.l. Via Carlo D'Adda 28 - 20143 MILANO

tel.: (39) 02 89421465 - fax.: (39) 02 83249533 e-mail: info@milanocomponenti.com www.milanocomponenti.com